

WOOD | STONE

**mantels & surrounds**  
BY FIRESIDE FURNISHINGS

Mantels & surrounds **for every décor**  
*Design Series | Signature Series | Select Series*

# Mantels & surrounds to fit any style

Fireside Furnishings is the premier provider of hearth design solutions for finishing around wood, gas and electric fireplaces. With a broad range of wood mantels and stone selections, the thoughtful details come together to transform a simple fireplace into a beautiful showpiece, and your room into a natural reflection of your dreams, the way you live – your style.

## Design Series

*A distinctive selection of mantels, the Design Series is for those with an appreciation for design and craftsmanship who want to stay ahead of today's current trends.*

## Signature Series

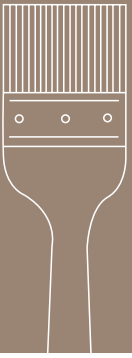
*Timeless and superior in quality, the broad range of mantels in the Signature Series offers designs with something for every décor.*

## Select Series

*Offering an easy way to create a dramatic impact without dramatic cost, the Select Series is the perfect blend of quality, design and value.*



Battlefield mantel with custom paint, and Blue Tundra marble



# Why unfinished is the best solution

**YOU'RE IN CONTROL** of your color choices from the start.

**TAKES AWAY THE GUESSWORK** of matching décor or current woodwork in your home.

**CUSTOM FINISH IS AVAILABLE** Ask your hearth provider for a quote on the different custom stain options.

## Four steps to customizing your hearth

### 1. Choose your style

The Design, Signature and Select Series wood mantels are available in traditional, transitional and rustic styles. Easily find the mantel that is perfect for you by browsing through the pages.

### 2. Pick your mantel ]

Choose from an impressive selection of wood mantel designs available in either primed MDF, unfinished maple or unfinished distressed knotty alder.

### 3. Match your surround ]

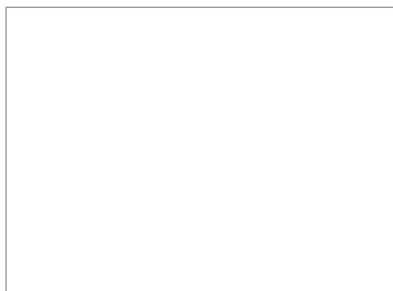
Stone selections frame your fireplace to ensure safety clearances are met, and to further enhance the beautiful fire.

### 4. Finish your hearth

Ready to finish. With the limitless stain and paint colors available, you can customize your mantel to perfectly match your décor and current woodwork.



## Wood Species



**MDF**  
PRIMED



**MAPLE**  
UNFINISHED



**DISTRESSED KNOTTY ALDER**  
UNFINISHED



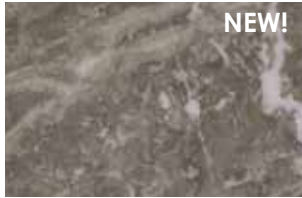
The timeless elegance of stone, from the world's finest quarries, is a striking accent to wood mantels. Quality stone facings and hearths are the perfect complement to your fireplace.

Stone Facings

Design Series



BEIGE STONE - POLISHED SURFACE



BLUE TUNDRA MARBLE - MATTE SURFACE



THALA BEIGE MARBLE - MATTE SURFACE\*

Signature Series



ABSOLUTE BLACK GRANITE - POLISHED SURFACE



STEEL GRAY GRANITE - LEATHERED SURFACE



ARCTIC GRAY MARBLE - POLISHED SURFACE



DRIFTWOOD MARBLE - MATTE SURFACE\*



PARCHWOOD MARBLE - MATTE SURFACE

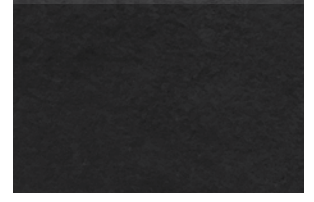
Select Series



PAULINE GRANITE - POLISHED SURFACE



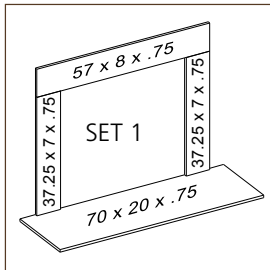
NEW VENETIAN GRANITE - POLISHED SURFACE



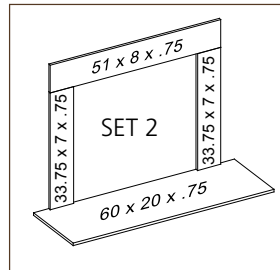
SLATE - MATTE SURFACE

\*Thala Beige and Driftwood marble may be ordered to fit most linear fireplaces.

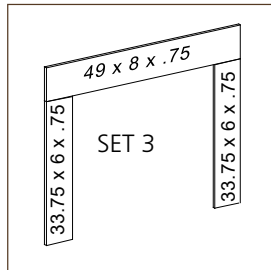
Stone Sets



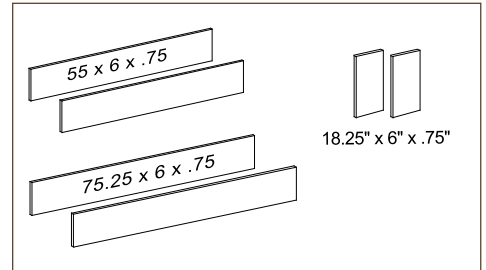
For use with most wood-burning and gas fireplaces



For use with most wood-burning and gas fireplaces



For use with most gas fireplaces



For use with most linear gas fireplaces. Available in Thala Beige and Driftwood only.

Stone sets can be cut to fit additional fireplace sizes. Dimensions on all drawings are in inches and for reference only. Please refer to installation manual for detailed specifications on installing this product. Mantel finishes and facing colors are only a representation of the finished look and may not be an exact color match.



Driftwood marble surround



# Flush Wood Mantels

Capture your unique style by framing your fireplace with a well-crafted flush wood mantel coordinated with beautiful stone. Create a warm, welcoming space in your home that showcases your style.

**TRADITIONAL** — Inspired by 18th-century French, English and Italian designs, the traditional finishing options capture the spirit of history in the details.

**TRANSITIONAL** — Inspired by Arts and Crafts, Mission, Cottage, Lodge, and Shaker styles, transitional mantel options effortlessly blend designs from traditional to more contemporary.

**RUSTIC** — Refreshing simplicity highlighted by natural beauty and rugged charm.



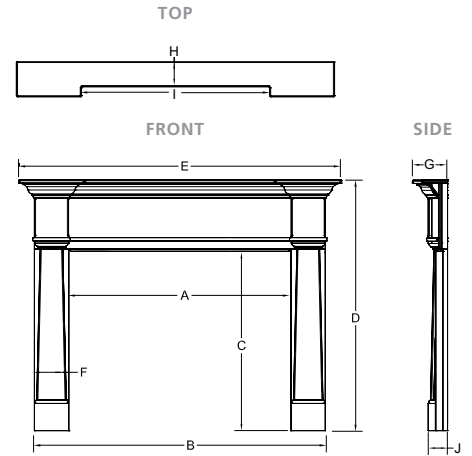
## BELLEVUE *Design Series*



Available in:

**MDF**  
PRIMED

**MAPLE**  
UNFINISHED



- TRANSITIONAL STYLE
- SHOWN WITH CUSTOM EBONY STAIN AND THALA BEIGE MARBLE

Bellevue	A OPENING WIDTH	B OUTSIDE WIDTH	C OPENING HEIGHT	D OUTSIDE HEIGHT	E TOP WIDTH	F LEG WIDTH	G OUTSIDE SHELF DEPTH	H SHELF INSET DEPTH	I SHELF INSET WIDTH	J LEG DEPTH	K RECOMMENDED SET SIZE
B SIZE	48"	64"	39-1/2"	55-1/4"	71"	6-1/2"	7-3/4"	5-1/2"	42"	3-3/4"	1
C SIZE	53"	69"	42"	57-3/4"	76"	6-1/2"	7-3/4"	5-1/2"	47"	3-3/4"	1

## BATTLEFIELD *Design Series*

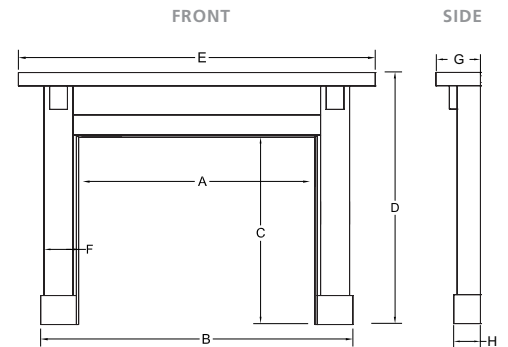


Available in:

**MDF**  
PRIMED

**MAPLE**  
UNFINISHED

**DISTRESSED  
KNOTTY ALDER**  
UNFINISHED



- RUSTIC STYLE
- SHOWN WITH CUSTOM GINGER STAIN AND NEW VENETIAN GRANITE

Battlefield	A OPENING WIDTH	B OUTSIDE WIDTH	C OPENING HEIGHT	D OUTSIDE HEIGHT	E TOP WIDTH	F LEG WIDTH	G SHELF DEPTH	H LEG DEPTH	I RECOMMENDED SET SIZE
B SIZE	48"	65"	39-1/2"	54"	75"	6-1/2"	9"	5-1/4"	1
C SIZE	53"	70"	42"	56-1/2"	80"	6-1/2"	9"	5-1/4"	1

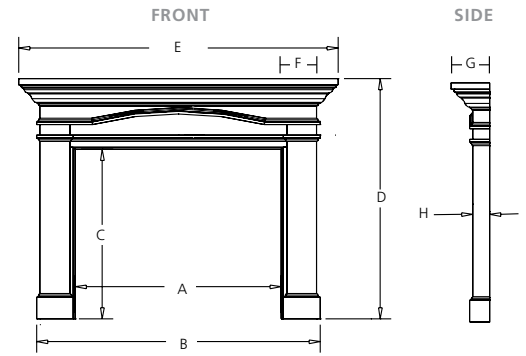
**PORTICO** *Design Series*



*Available in:*

**MDF**  
PRIMED

**MAPLE**  
UNFINISHED



- TRANSITIONAL STYLE
- SHOWN WITH CUSTOM PAINT AND DRIFTWOOD MARBLE

Portico	A OPENING WIDTH	B OUTSIDE WIDTH	C OPENING HEIGHT	D OUTSIDE HEIGHT	E TOP WIDTH	F LEG WIDTH	G SHELF DEPTH	H LEG DEPTH	I RECOMMENDED SET SIZE
B SIZE	48"	66"	39-1/2"	56"	74-1/2"	8-1/2"	9"	4"	1
C SIZE	53"	70"	42"	59"	78-1/2"	8"	9"	4"	1

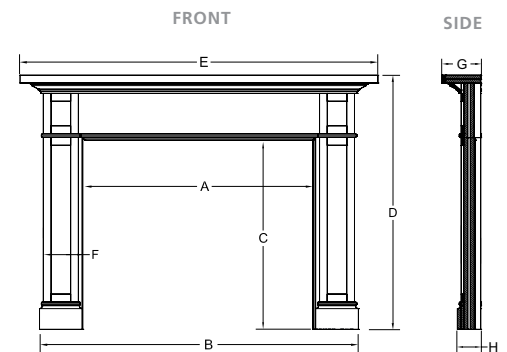
**ACADIA** *Signature Series*



*Available in:*

**MDF**  
PRIMED

**MAPLE**  
UNFINISHED



- TRADITIONAL STYLE
- SHOWN WITH CUSTOM PAINT AND ARCTIC GRAY MARBLE

Acadia	A OPENING WIDTH	B OUTSIDE WIDTH	C OPENING HEIGHT	D OUTSIDE HEIGHT	E TOP WIDTH	F LEG WIDTH	G SHELF DEPTH	H LEG DEPTH	I RECOMMENDED SET SIZE
A SIZE	44"	61-1/2"	36-1/2"	49"	69"	6-3/4"	7-1/2"	3-3/4"	1
B SIZE	48"	65-1/2"	39-1/2"	52"	73"	6-3/4"	7-1/2"	3-3/4"	1
C SIZE	53"	70"	42"	54-1/2"	78"	6-3/4"	7-1/2"	3-3/4"	1

## KENWOOD *Signature Series*

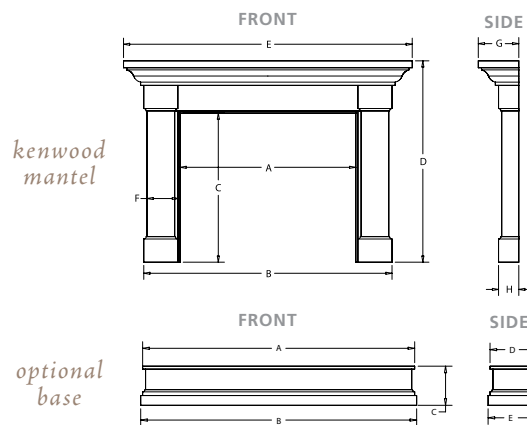


- TRANSITIONAL STYLE
- SHOWN WITH CUSTOM PAINT AND ABSOLUTE BLACK GRANITE

Available in:

**MDF**  
PRIMED

**MAPLE**  
UNFINISHED



### Optional Base

	A TOP WIDTH	B BOTTOM WIDTH	C HEIGHT	D TOP DEPTH	E BOTTOM DEPTH
<b>A SIZE</b>	62-3/4"	63-3/4"	10"	11-1/4"	11-3/4"
<b>B SIZE</b>	69-1/2"	70-1/2"	10"	11-1/4"	11-3/4"
<b>C SIZE</b>	74"	75"	10"	11-1/4"	11-3/4"

### Kenwood (Without Base)

	A OPENING WIDTH	B OUTSIDE WIDTH	C OPENING HEIGHT	D OUTSIDE HEIGHT	E TOP WIDTH	F LEG WIDTH	G SHELF DEPTH	H LEG DEPTH	I RECOMMENDED SET SIZE
<b>A SIZE</b>	44"	60"	36-1/2"	48-3/4"	69-1/2"	8"	9-3/4"	5"	2
<b>B SIZE</b>	48"	65"	39-1/2"	51-3/4"	74-1/2"	8"	9-3/4"	5"	1
<b>C SIZE</b>	53"	70"	42"	54-1/4"	79-1/2"	8"	9-3/4"	5"	1
<b>B60 SIZE</b>	46"	60"	39-1/2"	51-5/8"	67-1/2"	5"	8-1/2"	4"	2

## ROXBOROUGH *Signature Series*

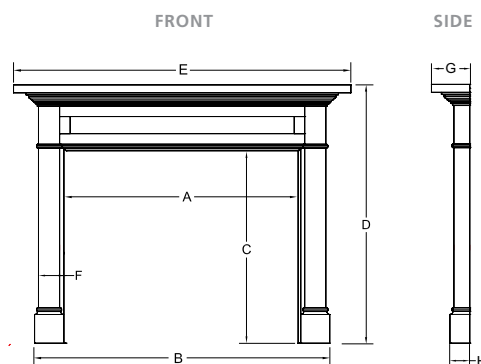


- TRADITIONAL STYLE
- SHOWN WITH CUSTOM PAINT AND PARCHWOOD MARBLE

Available in:

**MDF**  
PRIMED

**MAPLE**  
UNFINISHED



### Roxborough

	A OPENING WIDTH	B OUTSIDE WIDTH	C OPENING HEIGHT	D OUTSIDE HEIGHT	E TOP WIDTH	F LEG WIDTH	G SHELF DEPTH	H LEG DEPTH	I RECOMMENDED SET SIZE
<b>A SIZE</b>	44"	56"	36-1/2"	49"	64"	4"	7-1/4"	3"	2
<b>B SIZE</b>	48"	60"	39-1/2"	52"	68"	4"	7-1/4"	3"	2
<b>C SIZE</b>	53"	65"	42"	54-1/2"	73"	4"	7-1/4"	3"	1

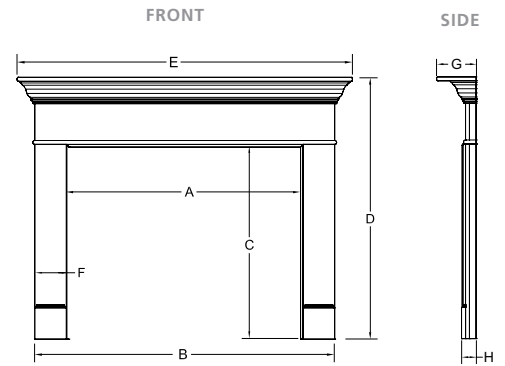


WESCOTT *Select Series*



Available in:

MDF  
PRIMED



- TRANSITIONAL STYLE
- SHOWN WITH CUSTOM PAINT AND BLUE TUNDRA MARBLE

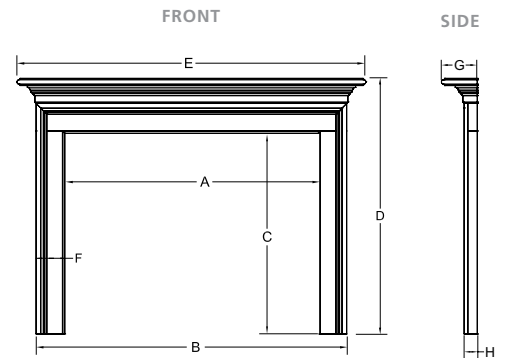
Wescott	A OPENING WIDTH	B OUTSIDE WIDTH	C OPENING HEIGHT	D OUTSIDE HEIGHT	E TOP WIDTH	F LEG WIDTH	G SHELF DEPTH	H LEG DEPTH	I RECOMMENDED SET SIZE
A SIZE	44"	57"	36-1/2"	49-3/4"	63-3/4"	6"	7-1/2"	2-3/4"	2
B SIZE	48"	60"	39-1/2"	52-3/4"	66-3/4"	5-1/2"	7-1/2"	2-3/4"	2
C SIZE	53"	66"	42"	55-1/4"	72-1/2"	6"	7-1/2"	2-3/4"	1

RICHLAND *Select Series*



Available in:

MDF  
PRIMED



- TRANSITIONAL STYLE
- SHOWN WITH CUSTOM PAINT AND STEEL GRAY GRANITE

Richland	A OPENING WIDTH	B OUTSIDE WIDTH	C OPENING HEIGHT	D OUTSIDE HEIGHT	E TOP WIDTH	F LEG WIDTH	G SHELF DEPTH	H LEG DEPTH	I RECOMMENDED SET SIZE
RS SIZE	44"	55"	36-1/2"	48"	60"	5"	7-1/2"	2-3/4"	2
A SIZE	44"	56"	36-1/2"	48"	64"	5-1/2"	7-1/2"	2-3/4"	2
B SIZE	48"	60"	39-1/2"	51"	68"	5-1/2"	7-1/2"	2-3/4"	2
C SIZE	53"	65"	42"	53-1/2"	73"	5-1/2"	7-1/2"	2-3/4"	1



# Wood Shelf Mantels

The shelf mantel is the perfect accent to a brick fireplace and a place to showcase some of your most cherished mementos. Available either in 48, 59 or 72-inch lengths.\*

## OZARK *Design Series*



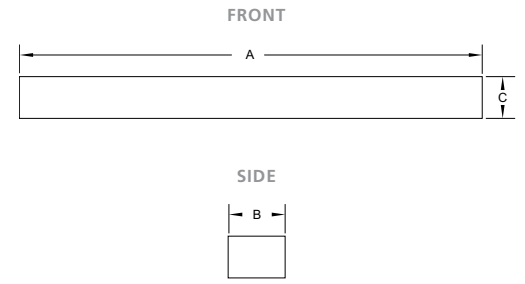
- RUSTIC STYLE
- SHOWN WITH CUSTOM EBONY STAIN
- AVAILABLE IN 48", 59" AND 72" WIDTHS

Available in:

MDF  
PRIMED

MAPLE  
UNFINISHED

DISTRESSED  
KNOTTY ALDER  
UNFINISHED



### Ozark

	A WIDTH	B SHELF DEPTH	C SHELF HEIGHT
SIZE	48"	8"	5"
SIZE	59"	8"	5"
SIZE	72"	8"	5"

## GIFFORD *Signature Series*

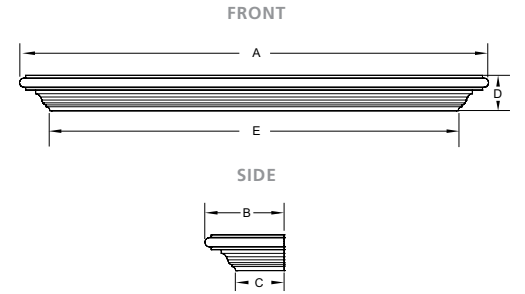


- TRANSITIONAL STYLE
- SHOWN WITH CUSTOM PAINT
- AVAILABLE IN 48", 59" AND 72" WIDTHS

Available in:

MDF  
PRIMED

MAPLE  
UNFINISHED



### Gifford

	A WIDTH	B SHELF DEPTH	C DEPTH	D HEIGHT	E BOTTOM WIDTH
SIZE	48"	8"	4-3/4"	3-5/8"	41-1/2"
SIZE	59"	8"	4-3/4"	3-5/8"	52-1/2"
SIZE	72"	8"	4-3/4"	3-5/8"	65-1/2"

## FILLMORE *Select Series*

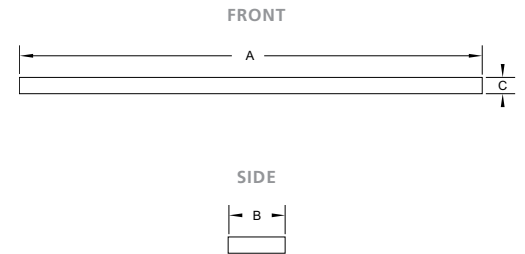


- TRADITIONAL STYLE
- SHOWN WITH CUSTOM EBONY STAIN
- AVAILABLE IN 48", 59" AND 72" WIDTHS

Available in:

MDF  
PRIMED

MAPLE  
UNFINISHED



### Fillmore

	A WIDTH	B SHELF DEPTH	C HEIGHT
SIZE	48"	8"	2-1/2"
SIZE	59"	8"	2-1/2"
SIZE	72"	8"	2-1/2"



# Custom Stain Options

All flush wood mantels and surrounds by Fireside Furnishings are available in paint-grade primed MDF or unfinished maple. Select models are available in unfinished distressed knotty alder. Unfinished mantels are delivered ready to be finished with your choice of paint or stain, or can be stained before shipping. Your mantel provider can supply you with details on price and lead times of the available custom stain options.

	<i>Natural</i>	<i>Ginger</i>	<i>Ebony</i>	<i>Chocolate</i>	<i>Ash</i>
<i>Maple</i>					
<i>Distressed Knotty Alder</i>					



[www.fireplaces.com](http://www.fireplaces.com)

FOR COMPLETE INFORMATION AND VALUABLE ASSISTANCE  
ON THESE MANTELS & SURROUNDS, CONTACT US AT: